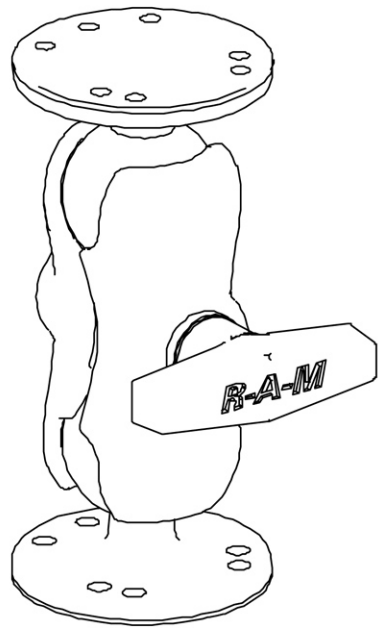
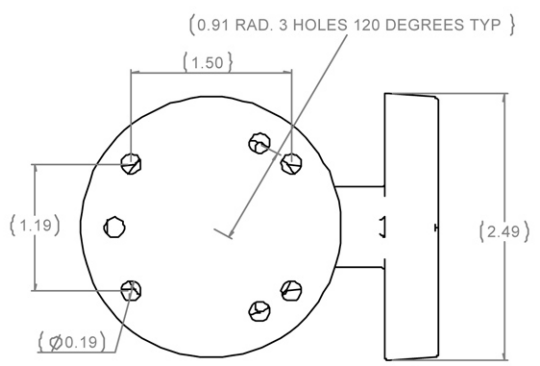
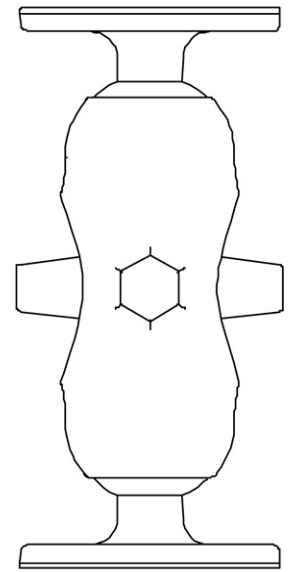
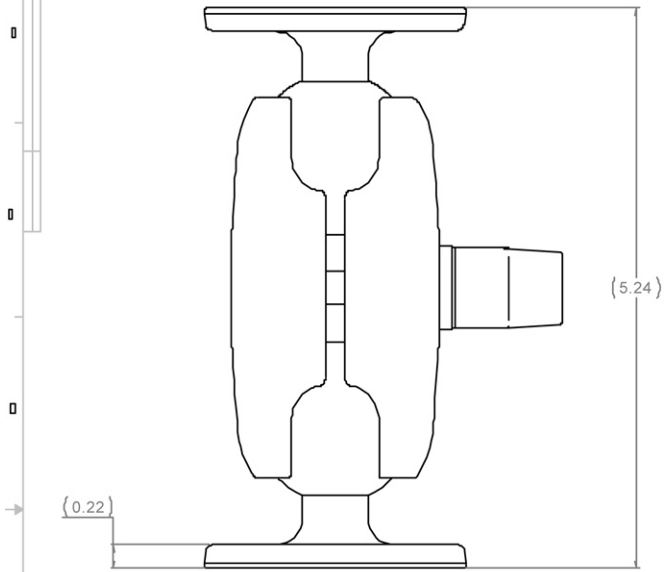


THE INFORMATION CONTAINED IN THIS DRAWING IS THE SOLE PROPERTY OF NATIONAL PRODUCTS INC. ANY REPRODUCTION IN PART OR WHOLE WITHOUT THE WRITTEN PERMISSION OF NATIONAL PRODUCTS INC. IS PROHIBITED.

REV	DESCRIPTION	REVISION	DATE	APPROVED



UNLESS OTHERWISE SPECIFIED DIMENSIONS ARE IN INCHES TOLERANCES ARE: FRACTIONS DECIMALS ANGLES ± 1/32 ± 0.005 ± 1.000 XXX .010	CAD GENERATED DRAWING. SEE MANUFACTURING SPEC. APPROVED: JDC 04/20/01 DESIGNED: CMR 04/21/01	NATIONAL PRODUCTS INC. RAM MOUNT WITH 2 - 2.437 DIA. BASES, 1.5" DIA. RUBBER BALLS & 8 LENGTH DBL SOCKET ARM PART NO: RAM-101-B SCALE: 1:1 (1/8"=1") SHEET: 1 OF 1
--	---	--